

# Wall Switch Installation

## 2" x 4" (Single Gang) Wall Switch Mounting

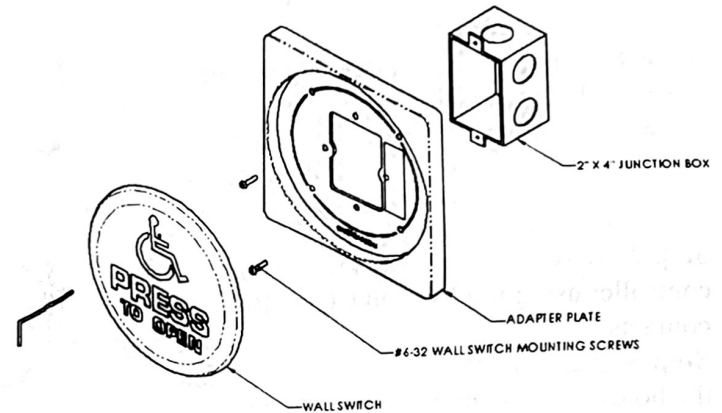
**Step 1:** Install a 2" x 4" (single gang) mounting box in the area in which the wall switch is to be installed. Be sure the screws are vertically oriented and ensure there is adequate clearance on each side to accommodate the adapter plate.

**Step 2:** Wire the wall switch to the door controller using the NO and COMMON contacts.

**Step 3:** Thread the enclosed #6-32 screws through the adapter plate and into the 2" x 4" junction box, tightening until approximately 1/4" remains visible.

**Step 4:** Slide the back plate of the switch over the screws and allow it to settle. Use the enclosed wrench to tighten and secure wall switch plate.

**Step 5:** Test for activation.



## 4" x 4" (Double Gang) Wall Switch Mounting\*

**Step 1:** Install a 4" x 4" (double gang) mounting box in the area in which the wall switch is to be installed. Be sure there is adequate clearance on each side to accommodate the adapter plate.

**Step 2:** Wire the wall switch to the door controller using the NO and COMMON contacts.

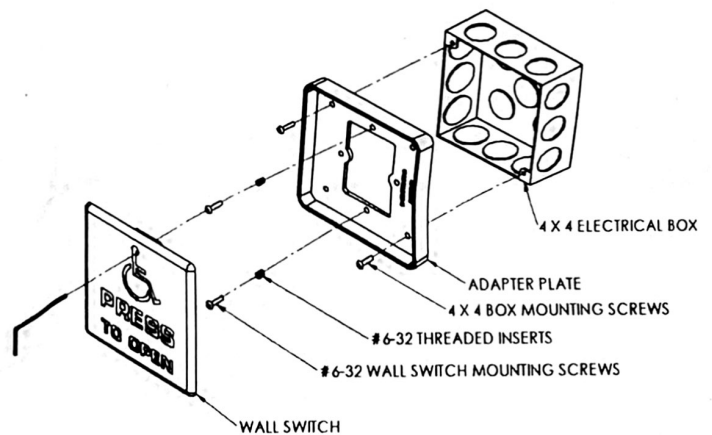
**Step 3:** Press the #6-32 screw inserts into the holes in the adapter plate as shown with the hex head flush to the face of the adapter plate on the side facing the wall switch.

**Step 4:** Thread the enclosed #6-32 screws onto the adapter plate, tightening until approximately 1/4" of the threads remain visible.

**Step 5:** Thread the 4" x 4" mounting box screws through the adapter plate and into the 4" x 4" junction box as shown and tighten.

**Step 6:** Slide the back plate of the switch over the #6-32 screws and allow to settle. Use the enclosed wrench to tighten and secure wall switch plate.

**Step 7:** Test for activation.



\*4-1/2" Round Wall Switches cannot be mounted on 4 x 4 boxes without a special adapter plate (P/N 0022006900) available separately.

# Wall Switch Installation

## 3" x 3" Box Mounting

**Step 1:** Install a 3" x 3" mounting box in area in which the wall switch is to be installed. Bend the upper and lower tabs inward to accommodate the wall switch. Be sure there is adequate clearance on each side to accommodate the adapter plate.

**Step 2:** Wire the wall switch to the door controller using the NO and COMMON contacts

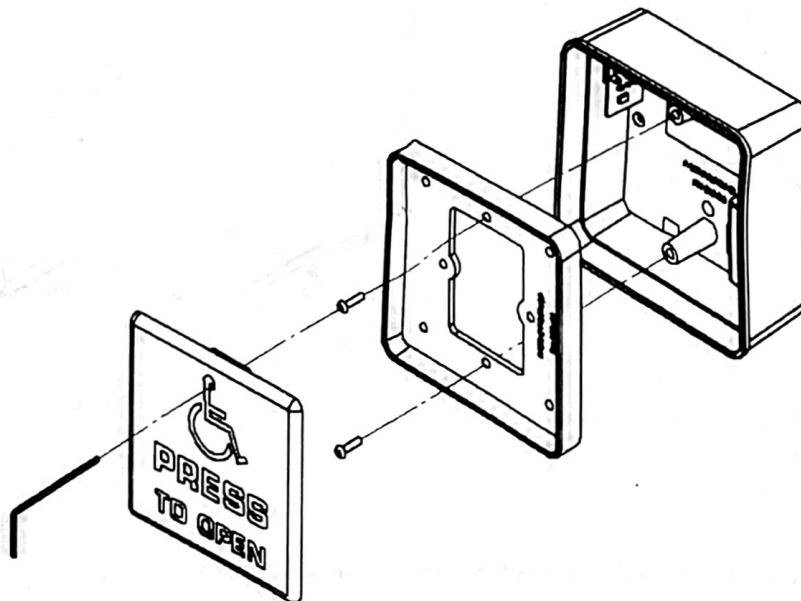
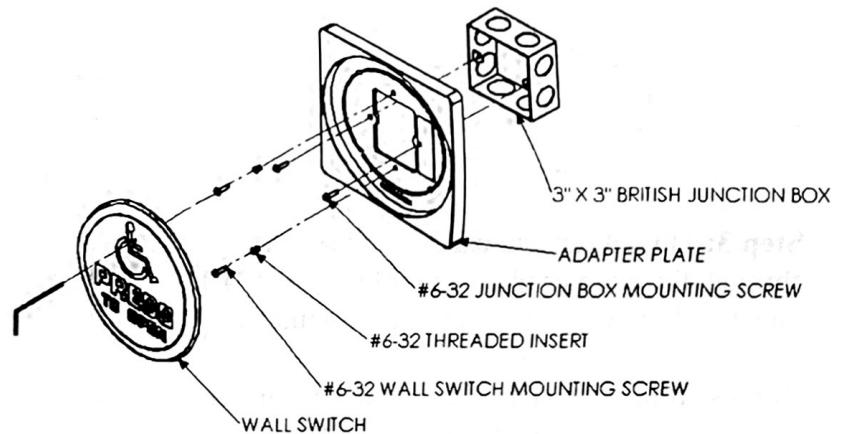
**Step 3:** Press the #6-32 threaded inserts into the holes in the adapter plate as shown with the hex head flush to the face of the adapter plate on the side facing the wall switch.

**Step 4:** Thread the enclosed #6-32 screws into the threaded inserts, tightening until approximately 1/4" of the threads remain visible.

**Step 5:** Thread the 3 x 3 mounting box screws into the 3" x 3" junction box and tighten.

**Step 6:** Slide the back plate of the wall switch over the #6-32 wall switch mounting screws and allow it to settle. Use the enclosed wrench to tighten and secure wall switch plate.

**Step 7:** Test for activation.



## Universal Wall Box Installation

### Flush Mount Installation

**Step 1:** Determine wall switch mounting location based on wall construction, applicable standards and intended use. In high use and abuse areas, a solid mounting surface or additional reinforcement may be required behind the box.

**Step 2:** Determine stud location in mounting area. Cut an access hole adjacent to stud for extra support. Access hole dimensions should be 6-3/4" square for a full sized (6") wall switch and 5-1/4" for a reduced size (4-1/2") wall switch. You can trace around the box as your guide.

**Step 3:** Punch out holes in box in areas indicated on the top view drawing by the notation "mounting screw punch outs" (see reverse side).

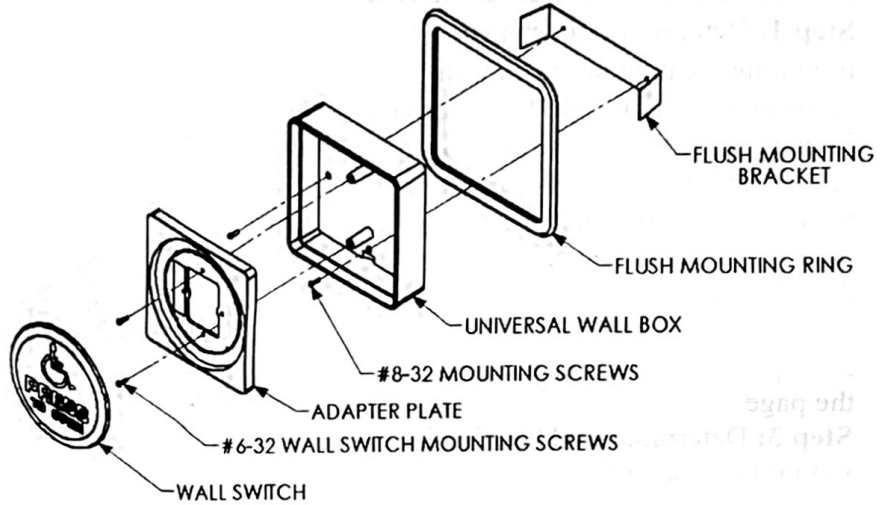
**Step 4:** Slide the flush mounting ring over the mounting box.

**Step 5:** Thread two #8-32 screws through the pilot holes into the retaining bracket. Do not tighten screws completely.

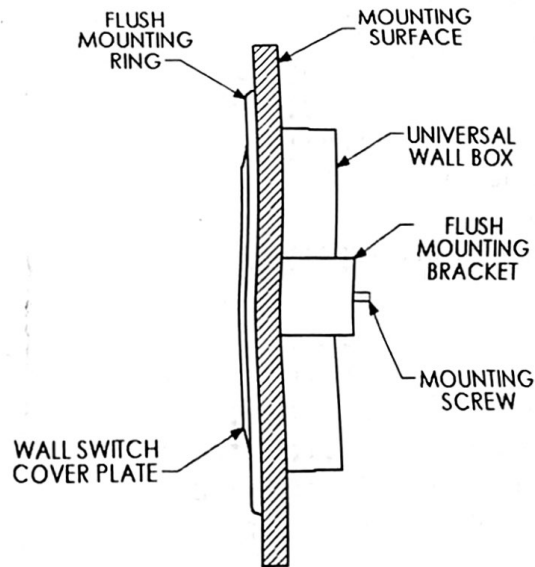
**Step 6:** Insert the mounting box and bracket into the access hole. The bracket is slightly larger than the access hole. Squeeze the sides of the bracket into the mounting box and gently force the bracket through the hole. Tighten both screws until the assembly is held tightly to the wall surface.

**Step 7:** Complete the wall switch assembly using instructions included with your wall switch.

Observe all manufacturers recommendations for safety and operation of their products. ANSI/BHMA standards that offer specific recommendations for each type and class of automatic door have been developed. To obtain a copy of the ANSI/BHMA standard that applies to your installation, visit [www.buildershardware.com](http://www.buildershardware.com) or [www.ansi.org](http://www.ansi.org).



FLUSH MOUNT KIT ASSEMBLY INSTRUCTIONS



FLUSH MOUNTING ILLUSTRATION

## Universal Wall Box Installation

### Surface Mount Installation

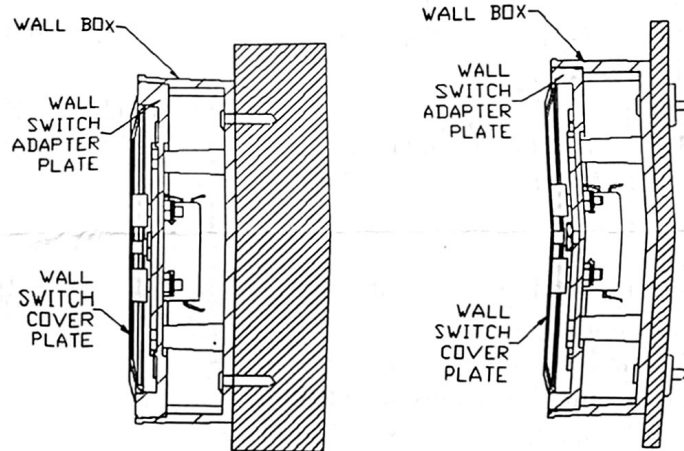
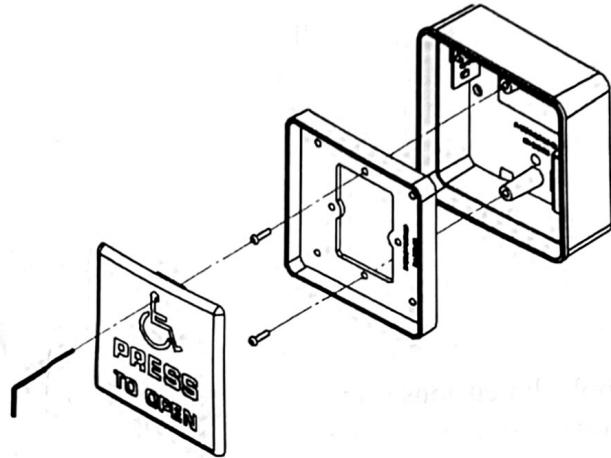
**Step 1:** Determine wall switch mounting location based on wall construction, applicable standards and intended use. In high use and abuse areas, a solid mounting surface or additional reinforcement may be required behind the box.

**Step 2:** Punch out desired mounting holes in the back of the box shown in the top view drawing at the bottom of the page.

**Step 3:** Determine stud location in mounting area. Drill holes in mounting surface and into mounting stud.

**Step 4:** Insert appropriate fastener through box and into mounting surface and tighten securely. For mounting directly into a stud or solid wall, the recommended fastener is a #8-32 x 1" wood screw. For mounting into a hollow wall or surface, the recommended fastener is a #8-32 x 1" toggle bolt.

**Step 5:** Complete wall switch assembly using instructions included with your wall switch.



TOP VIEW DRAWING

### Note:

Larco's Labor Saver System can be used to affix mounting boxes to partitions and walls where mechanical fasteners cannot be used. Read and follow the instructions that accompany the Labor Saver System.

Observe all manufacturers recommendations for safety and operation of their products. ANSI/BHMA standards that offer specific recommendations for each type and class of automatic door have been developed. To obtain a copy of the ANSI/BHMA standard that applies to your installation, visit [www.buildershardware.com](http://www.buildershardware.com) or [www.ansi.org](http://www.ansi.org).

